

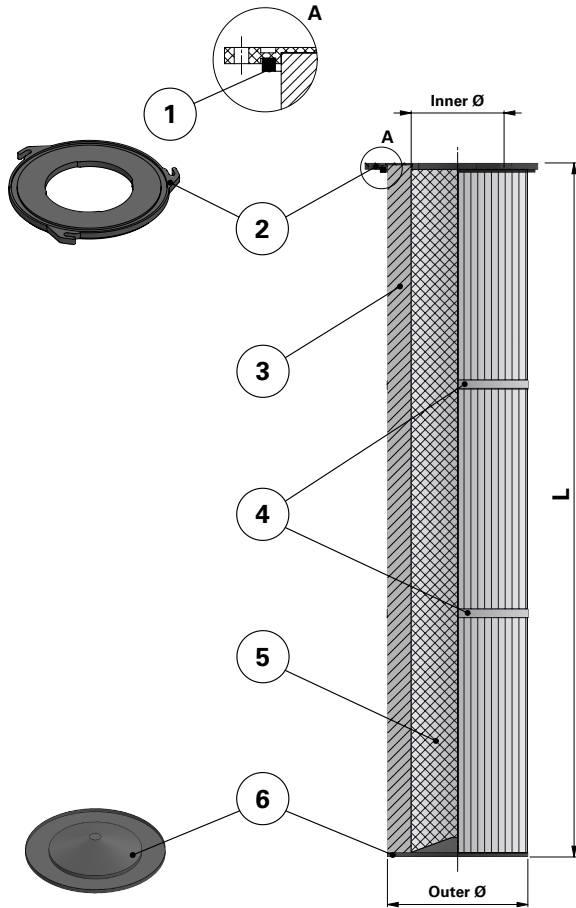
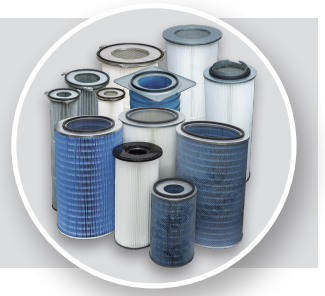


Donaldson
FILTRATION SOLUTIONS

DATA SHEET

Replacement Elements

Cartridges – Series 115 Quick Fix 3 Hook



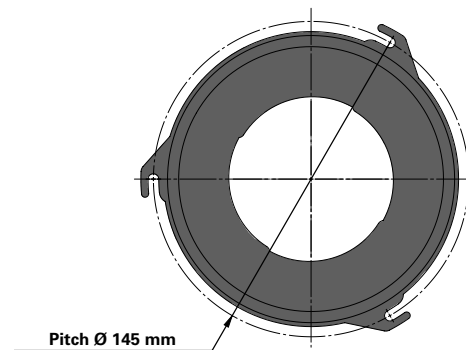
Series 115 Quick Fix 3 Hook

Cartridge Filter with open top end cap with 3 hooks, 145 mm pitch diameter and closed bottom end cap

Special feature: Interchangeable gasket for Dirty Air Plenum or Clean Air Plenum installation for different brands of cartridge collectors

Without outer liner

Top end cap quick fix



Item	Description
1	Interchangeable gasket
2	Top end cap quick fix
3	Media pack
4	Straps
5	Inner liner
6	Bottom end cap closed

Dimensions [mm]

Outer Ø	115
Inner Ø	60
L	506 1206
Pitch Ø	145